

GEDA® 500 Z/ZP

More information
EN
16719
on page 24/25

Your powerful partner for heavy loads and efficient working

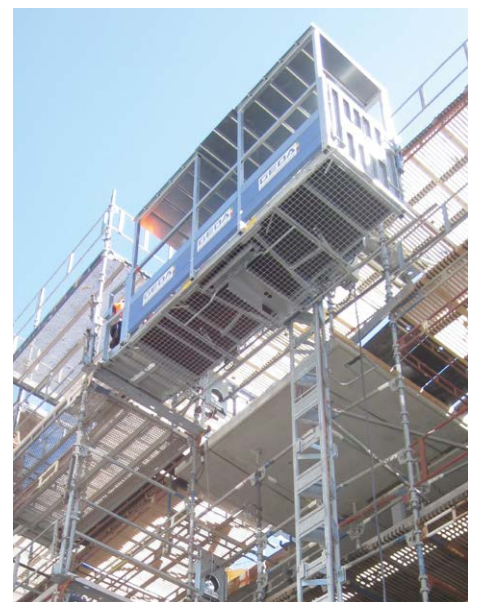
Two devices in one: material hoist and transport platform

GEDA UNI-X-MAST system

Cost-efficient even at low transport heights

Automatic lubrication device as a standard





GEDA 500 Z/ZP





The GEDA 500 Z/ZP transport platform has been specifically designed for use in tough building site conditions and is extremely flexible. With two separate controls, it can be used simply as a material hoist or as a transport platform for passengers and materials.

A lifting speed of 24 m/min in material mode and 12 m/min in passenger mode ensures rapid construction progress.

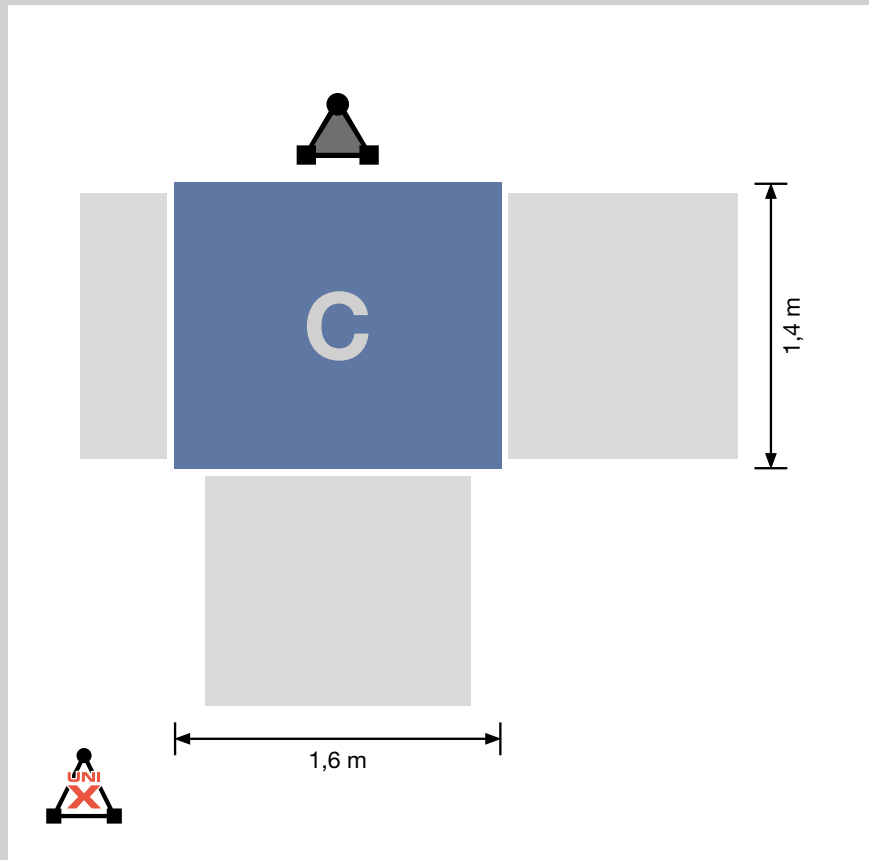
The 500 Z/ZP transport platform is an indispensable aid for rapid assembly of scaffolding as well as for the subsequent work at the construction site. With minimal space requirements, high load capacity and various application options, the construction hoist saves time and ensures optimum logistics processes on site.

Every construction site has its own challenges. Different platform versions with different loading doors and flaps therefore allow optimum adaptation of the GEDA 500 Z/ZP to the requirements on site. The spacious loading platform without cover provides sufficient space for all types of construction materials.

Technical data:

	500/850 kg 5 persons
	100 m
	12/24 m/min
	3.0/6.1 kW/400 V/ 50 Hz/16 A

Platform:



GEDA 500 Z/ZP platform C 2 loading ramps / 1 unloading ramp

**1000 kg
load capacity
also available!**



Accessories:

For a wide range of
accessories visit:
www.geda.de



Recommended landing level safety gates:

**Tarpaulin retrofit
kit available!**



Comfort

Art. No. 01212



Comfort incl. sheet metal panel

Art. No. 68301



VARIO LITE

Art. No. 68200



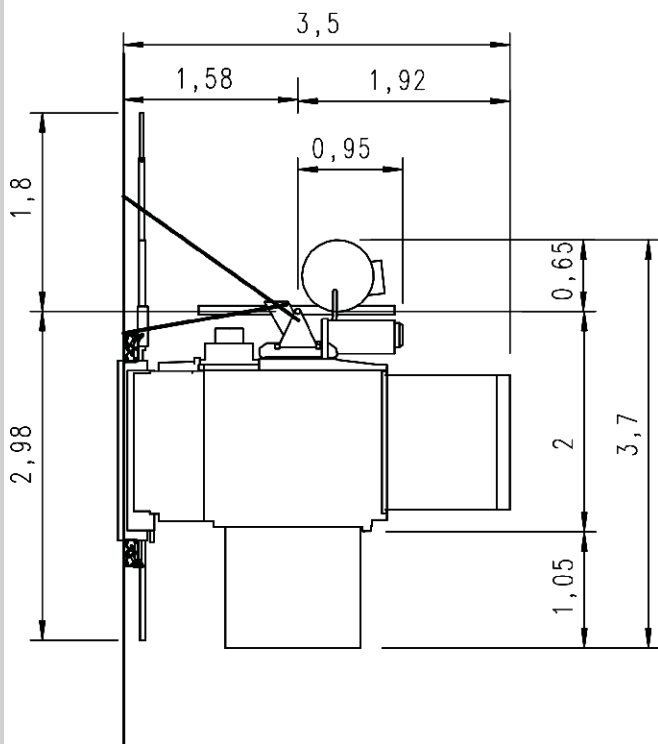
VARIO/VARIO +

Art. No. 68000;68050

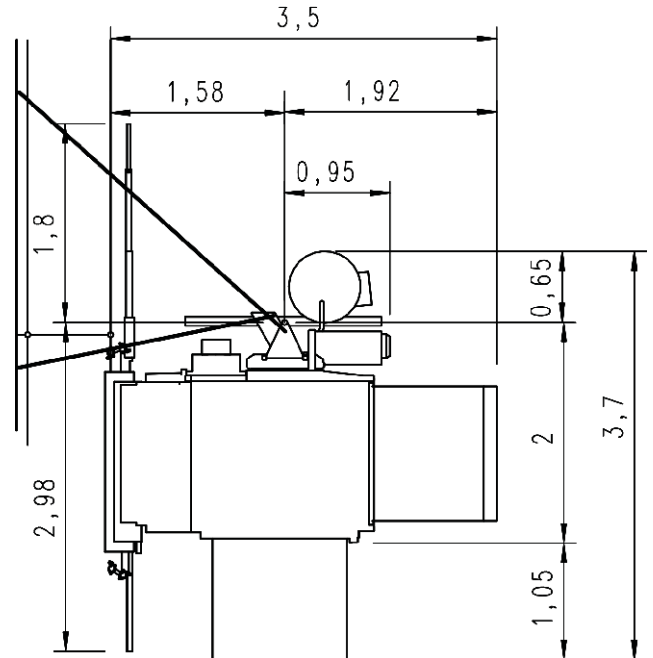
Further landing level safety gates:

Art. No. 01217	Standard
Art. No. 01268	Standard-Basic
Art. No. 68311	Standard incl. sheet metal panel
Art. No. 68312	Standard-Basic incl. sheet metal panel

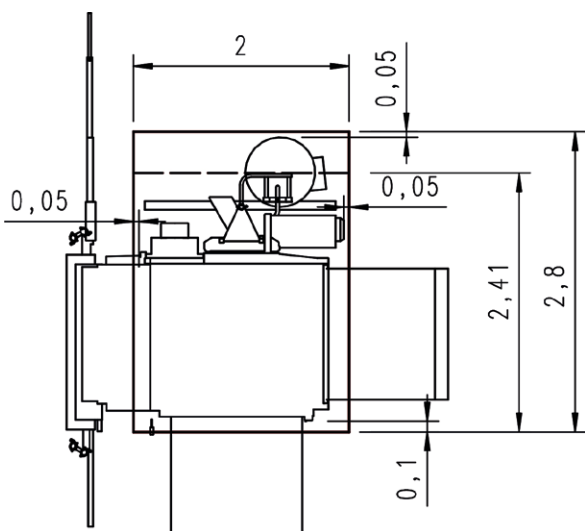
Space requirements:



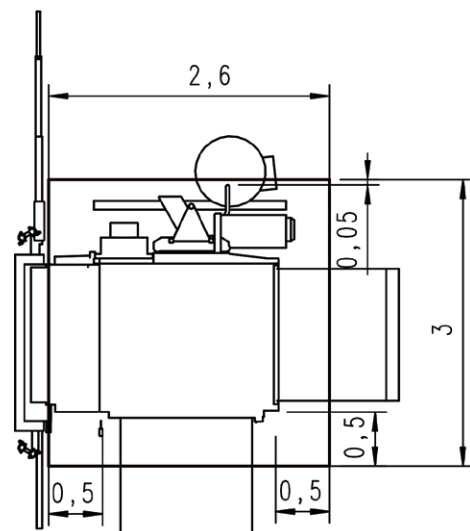
Normal space requirement in front of a wall



Normal space requirement in front of a scaffold



Shaft dimensions (no person transport)



Shaft dimensions (person transport)